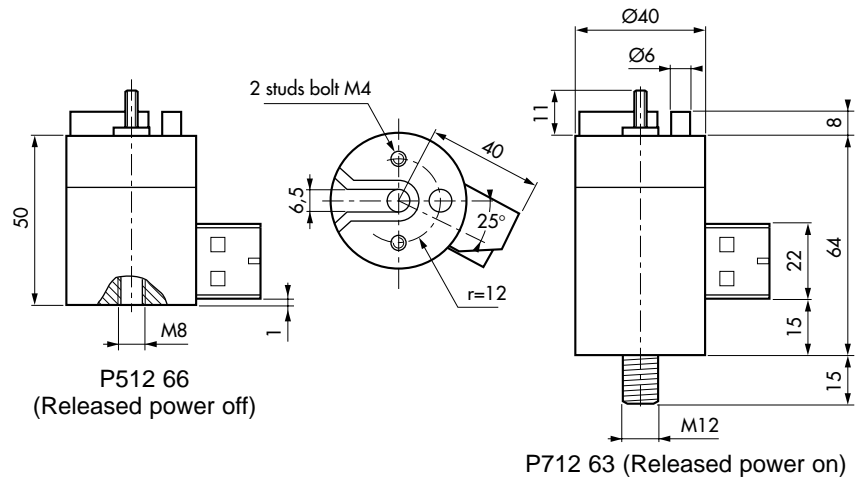




# Rotary locks



## Operating mode:

Locked in rotation through fork shaped mechanical link  
Released either by power-off or power-on mode  
Manual reset

## Typical application:

Fire protection: door retainers, smoke damper

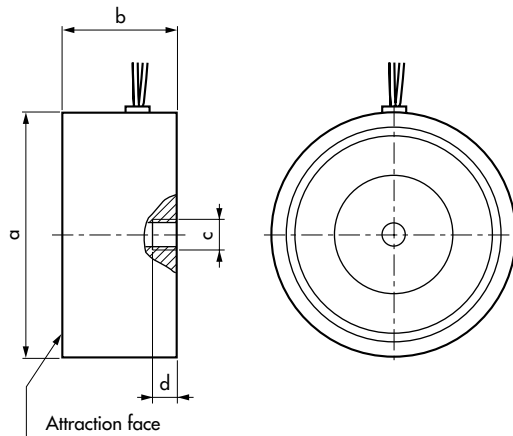
## Benefit:

High torque level with low power consumption

Part number	P.5.12.66	P.7.12.63
Release mode	Power off	Power on
Holding torque	50 daN.Cm	50 daN.Cm
Residual torque	5 daN.Cm - 0 Volt	5 daN.Cm - 0,9Un
Power	1 W	3 W
Standard voltage	24 Vdc-48Vdc	24 Vdc-48Vdc

Protection rating : IP 00

# Holding electromagnets



Protection rating: IP 40

Maximum holding force is achieved with flat surface and on soft iron parts with dimension greater or equal to the holding face.

Other conditions will reduce holding force  
Holding could be achieved either power-on or power-off.

Holding	Part number	Maximum holding force with no air gap	Min. thickness of handled part	Power consumption voltage	Standard voltage	Øa	b	c	d
Power on	5.80.01	27 daN	4 mm	5W	24 Vdc	30	20	M6	10
	5.81.01	44 daN	5 mm	7,5W	24 Vdc	39	32	M6	10
	5.82.01	79 daN	6 mm	8,5W	24 Vdc	48	27	M6	10
	5.83.01	145 daN	7 mm	10W	24 Vdc	63	30	M8	15
	5.84.01	200 daN	9 mm	14,5W	24 Vdc	75	35	M10	15
	5.85.01	294 daN	10 mm	20W	24 Vdc	90	40	M12	20
	5.86.01	550 daN	12 mm	30W	24 Vdc	110	50	M12	20
Power off	7.80.01	12 daN	4 mm	3,5W	24 Vdc	30	32	M4	6
	VE.P24.01	115 daN	9 mm	24W	24 Vdc	75	65	M6	6

Options : terminal block or connector, other supply voltages, fixing plate. (Consult us for part number).

**Important: for all orders, please specify: part number & voltage.**